

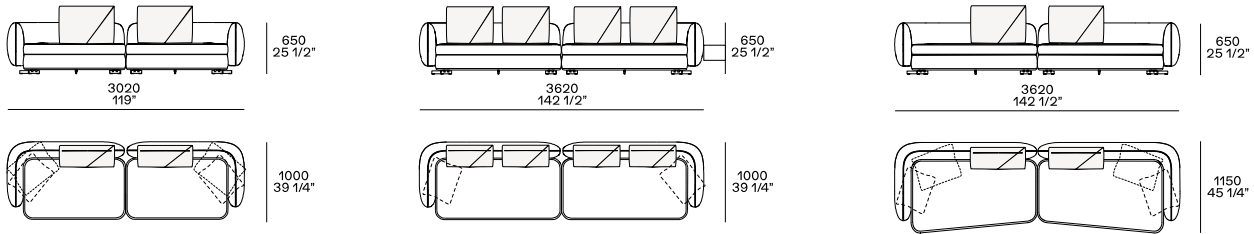


DESCRIPTION

Typology	Modular sofa
Structure	Wood and by-products
Backrest	Moulded flexible polyurethane
Seat cushion	Multi-density polyurethane
Pre-cover	White cotton and feather
Final cover	Removable cover in fabric or leather
Feet	Adjustable in painted metal
Backrest cushions	Expanded polyurethane and feather
Headrest cushions	Textured and feather
Optional cushions	Textured and feather

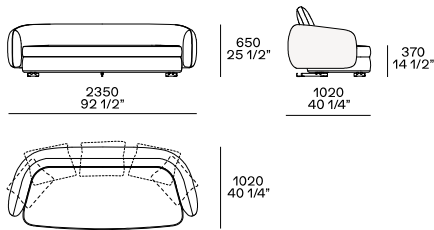
DIMENSIONS

Modular components

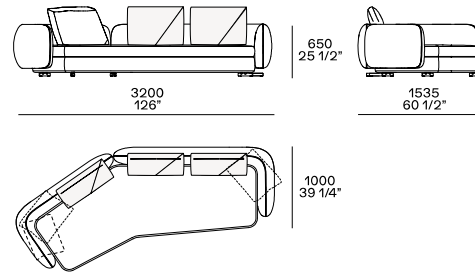


Sofas

Sofa

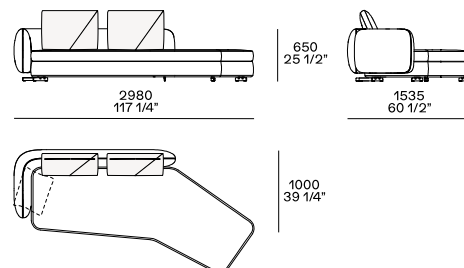
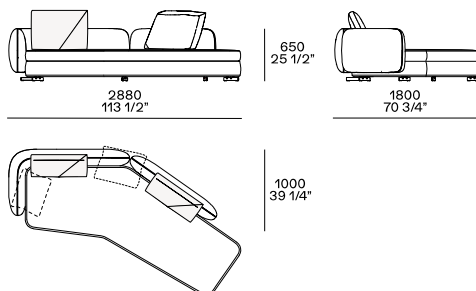
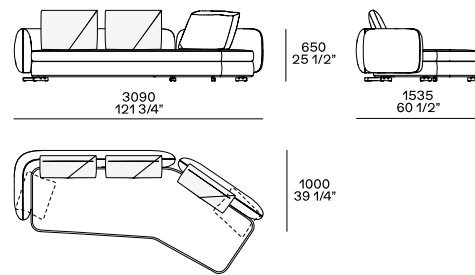
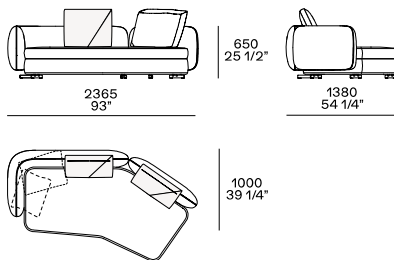


Divano boomerang sx-dx

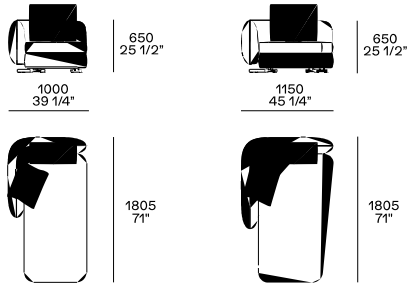


Freestanding elements

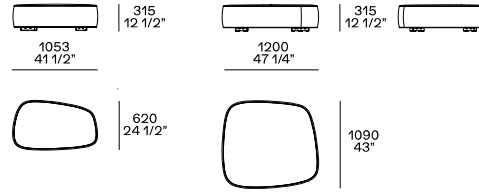
Lt-rt freestanding elements



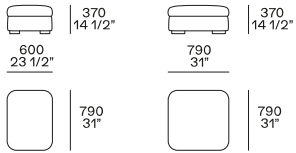
Chaise longue sx-dx



Freestanding pouf



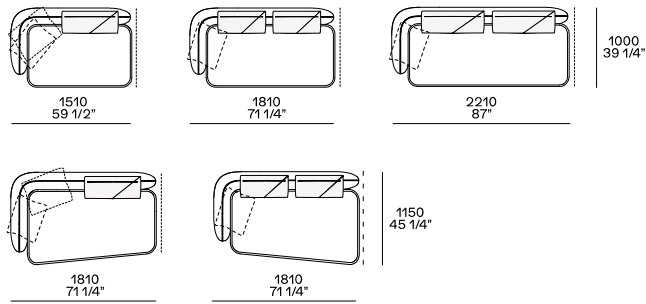
Pouf



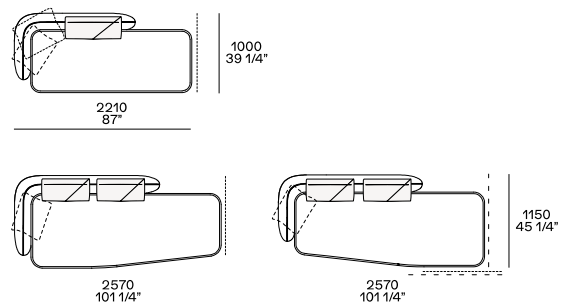
They can also be inserted
between two elements only
with seat depth 31"

Components

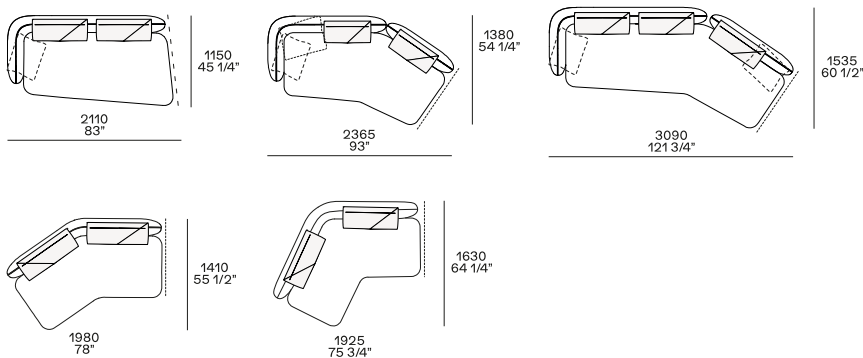
Lh-rh end unit



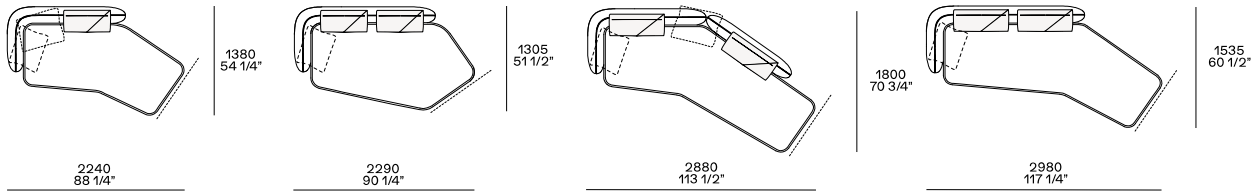
Peninsula end unit lh-rh



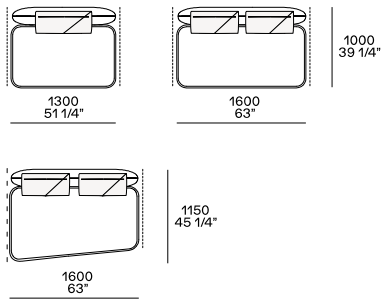
Lt-rt angled end unit



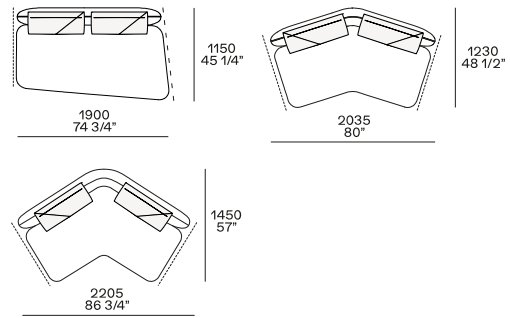
Lt-rt peninsula end unit



Central unit

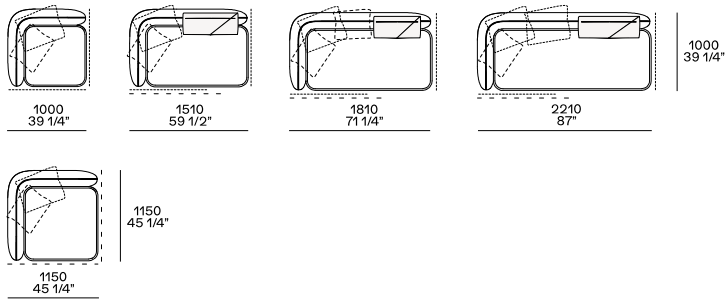


Lt-rt angled central unit

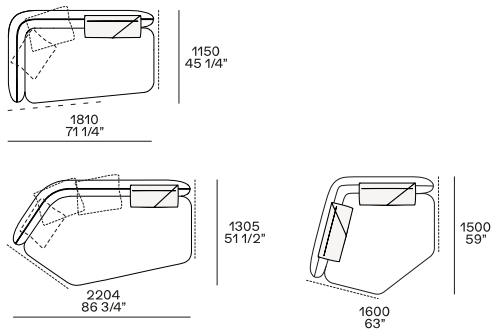


Also used as end unit

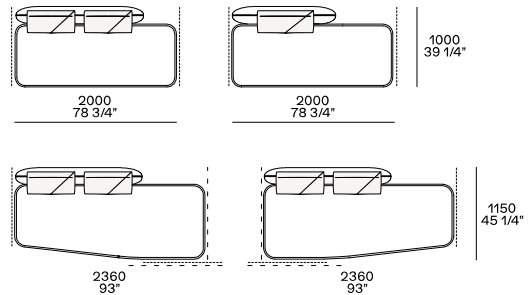
Lt-rt corner unit



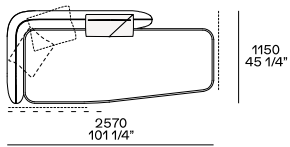
Lt-rt angled corner unit



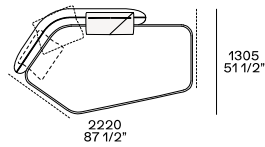
Lt-rt peninsula



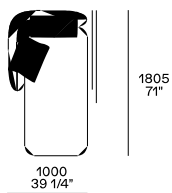
Lt-rt peninsula corner unit



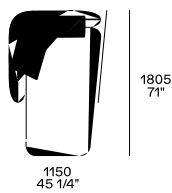
Lt-rt angled peninsula corner unit



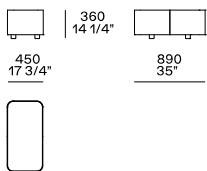
Lt-rt chaise longue



Lt-rt angled chaise longue



Coffee table



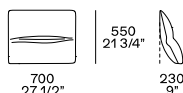
To be inserted between two units

Cushions

Optional cushions



Optional headrest cushions



End or central coffee table inserted between two elements only with seat depth 31" and sofa depth 39 1/4".