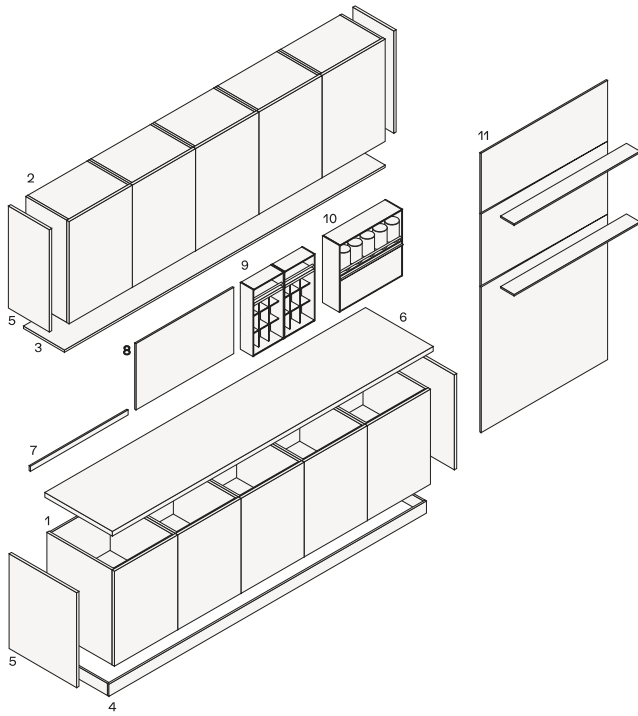




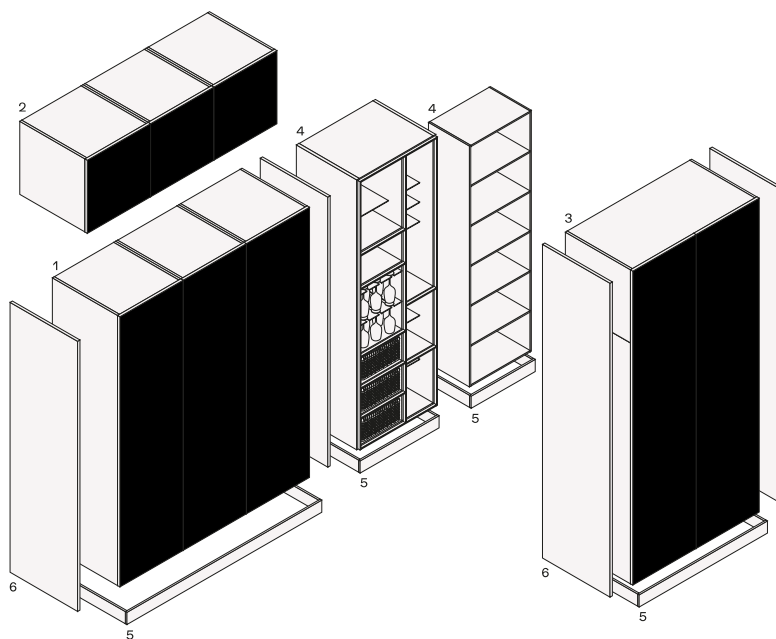
DESCRIPTION

Typology	Kitchen
Door thickness	26 mm - 1"
Top thickness	6-12-20-30-40-52 mm
Base units opening type	With profile
Tall units opening type	With profile and with spacer
Wall units opening type	With profile
Upper elements for tall unit opening type	With profile and with spacer

COMPONENTS



- 1 Base units
- 2 Wall units
- 3 Panel under wall unit, linear elements
- 4 Plinths, linear elements
- 5 Finishing sides, complementary elements
- 6 Tops, linear elements
- 7 Backsplashes, linear elements
- 8 Back panels, linear elements
- 9 Shaker, accessorized backs, linear elements
- 10 Deep Shaker, accessorized backs, linear elements
- 11 Wall panelling and shelves, linear elements



- 1 Tall units
- 2 Cabinets above tall unit
- 3 High tall units
- 4 Open elements
- 5 Plinths, linear elements
- 6 Finishing sides, complementary elements

DOORS



Door thickness 26 mm - 1".
Built-in handle.

FINISHES

SHOWCASES



PR19 Thickness 26 mm - 1"

Door in bronzed reflecting glass 5051 with frame in bronzo painted aluminium. For wall units with opening with lower profile or tip-on opening.



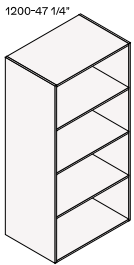
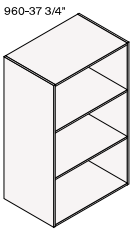
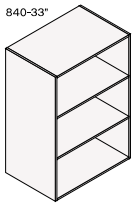
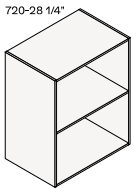
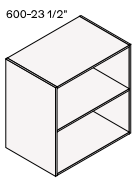
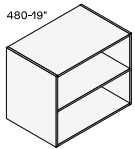
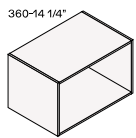
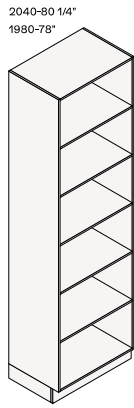
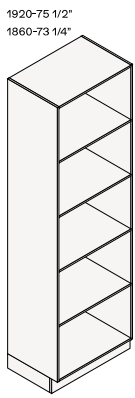
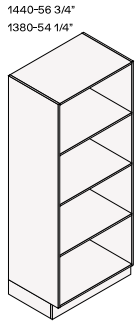
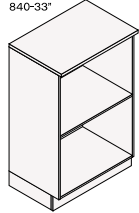
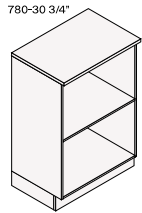
PR21 Thickness 26 mm - 1"

Door in fumé reflecting glass 5059 with moka anodized aluminium frame. For wall units with opening with lower profile. For tall units with opening moka painted integrated handle. For elements above tall unit with tip-on opening.

Structure item

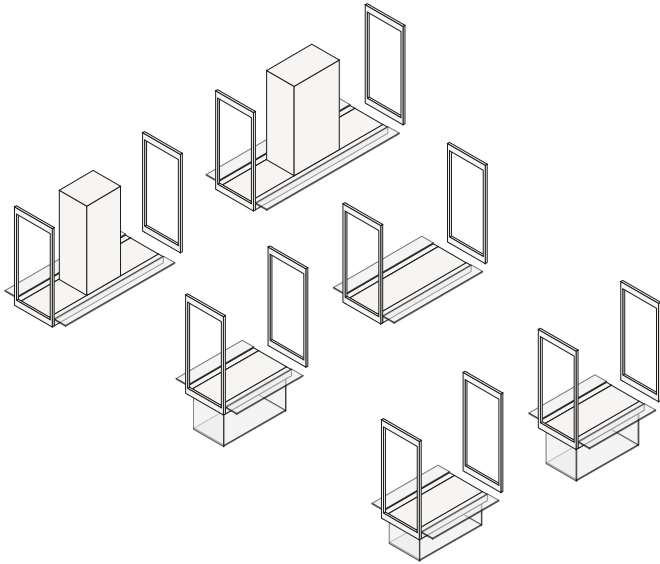
OPEN ELEMENTS

Thickness 12 mm - 1/2"



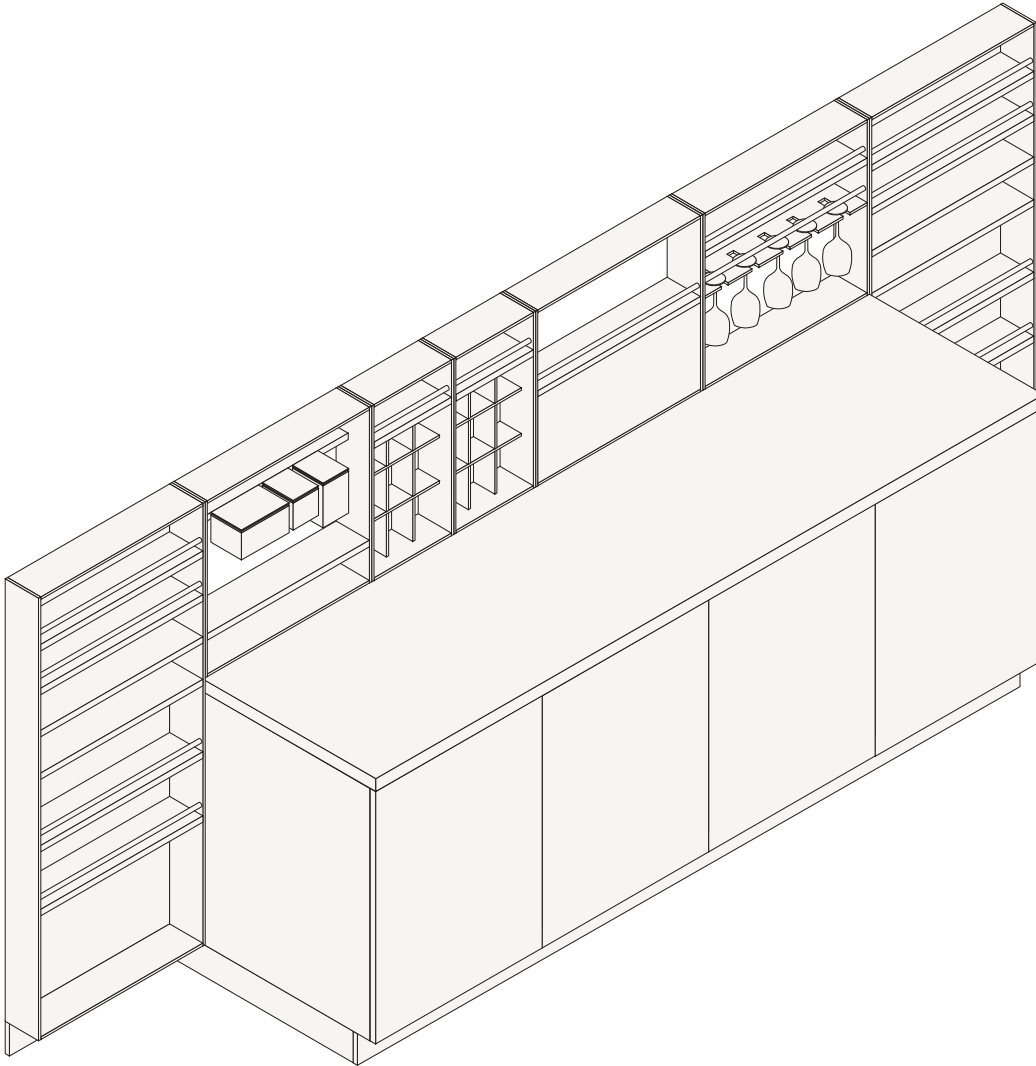
POLIFORM PERSONALISED HOODS

Infinity, modular system

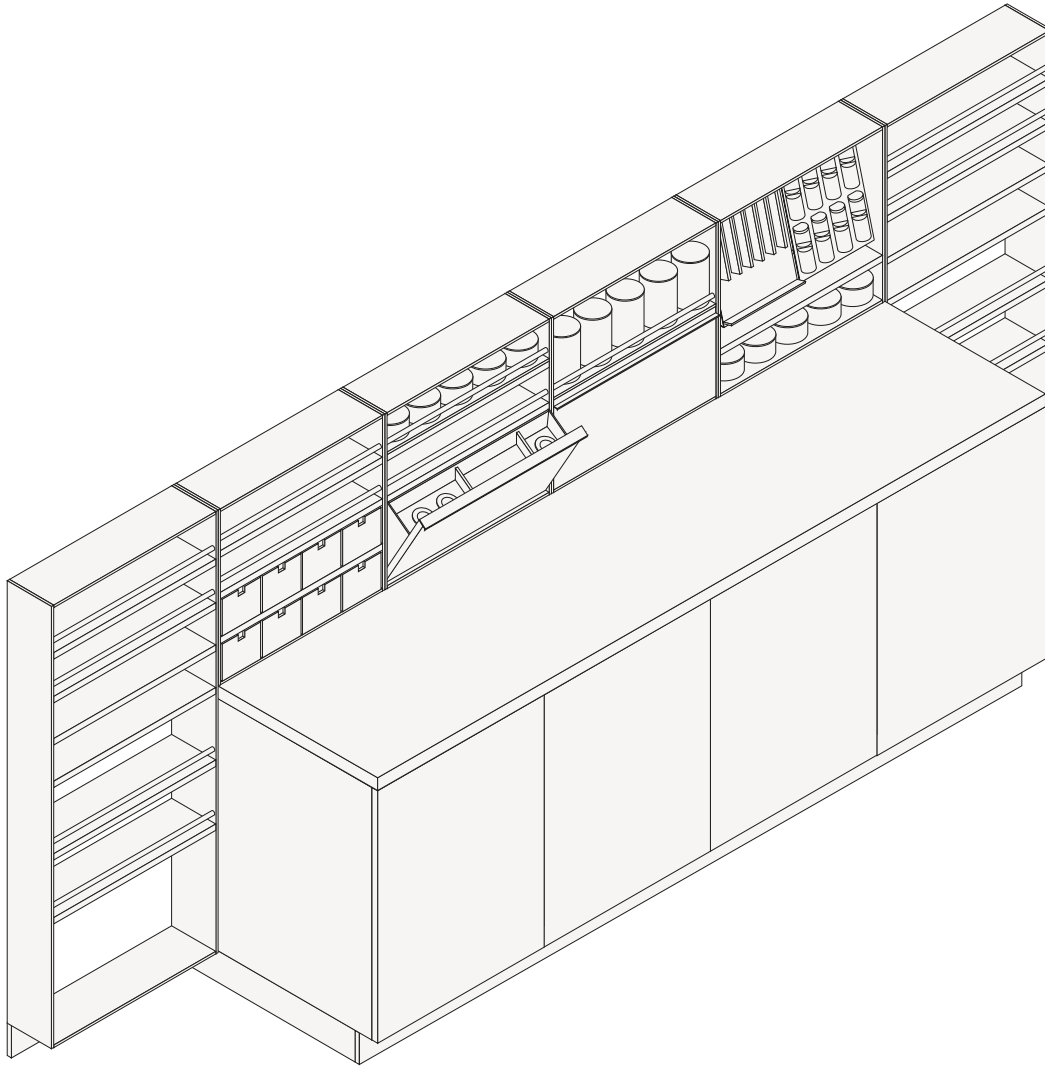


EQUIPPED BACKPANELS

Shaker

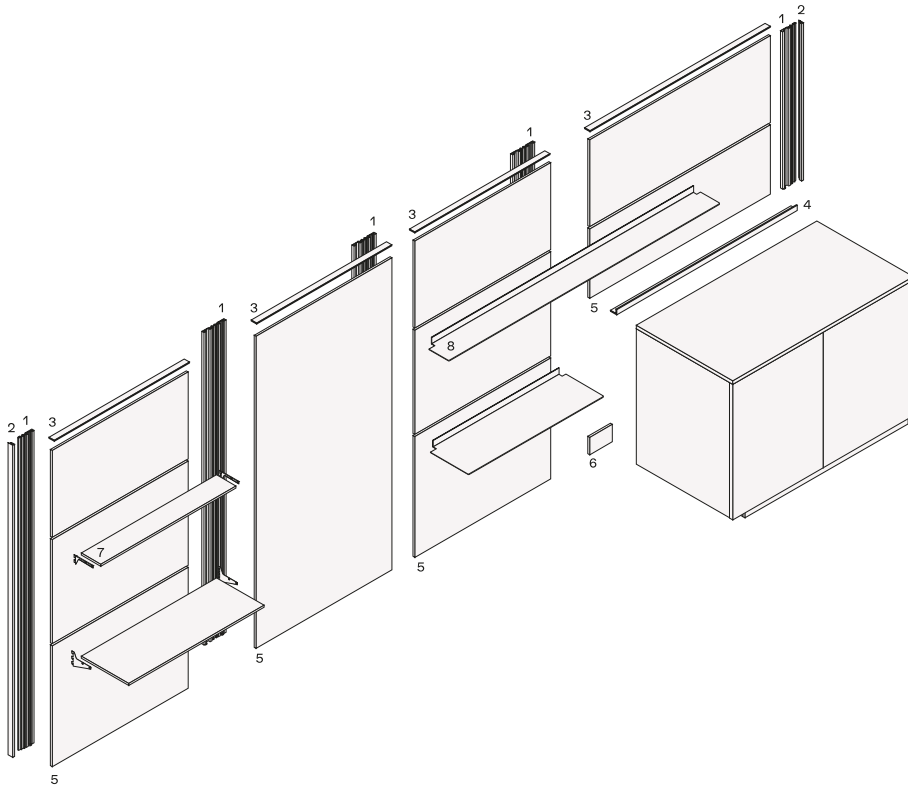


Deep Shaker

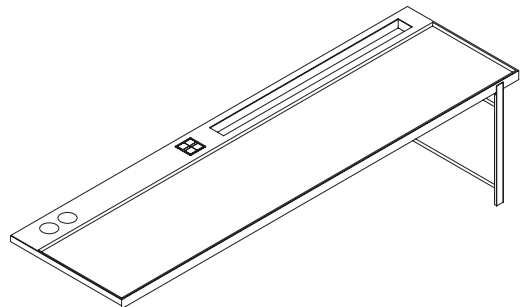
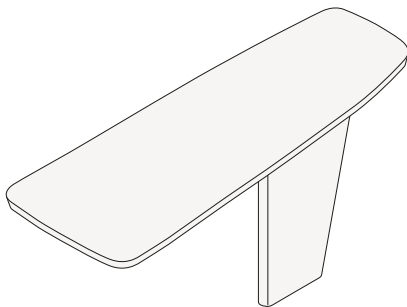
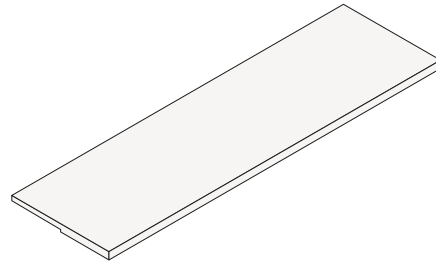
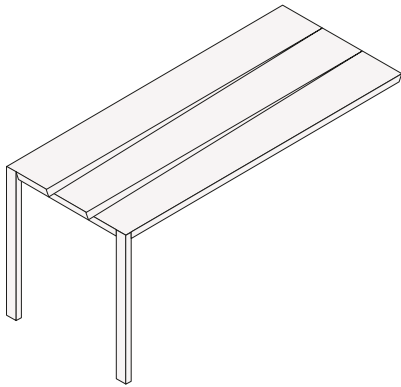
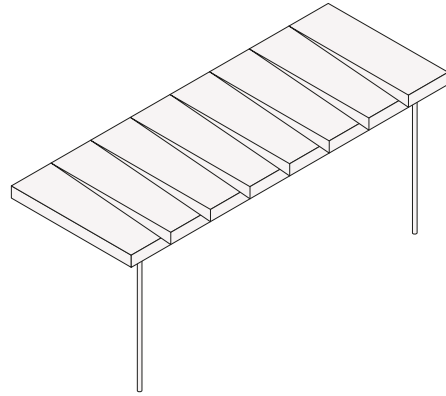
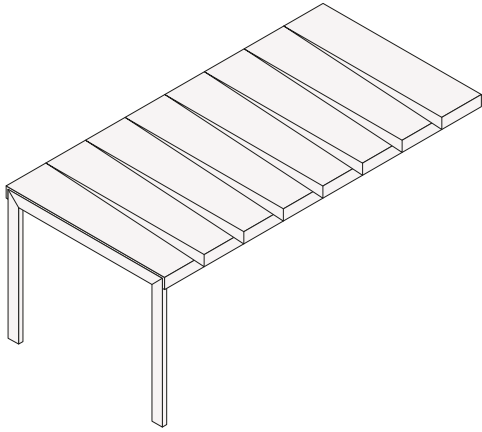


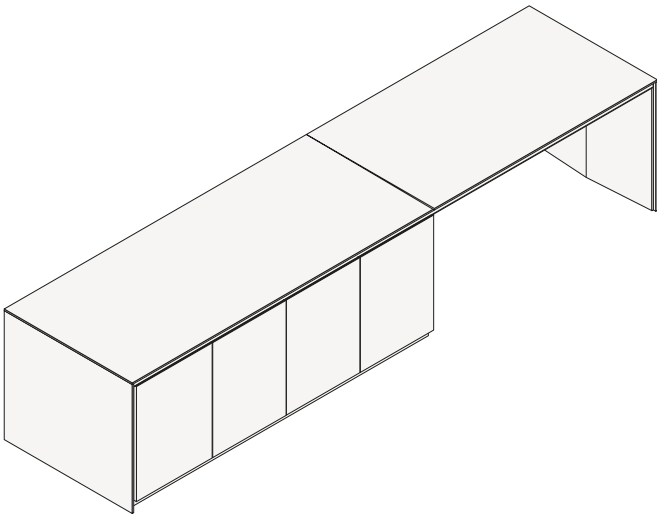
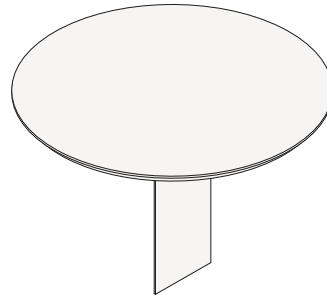
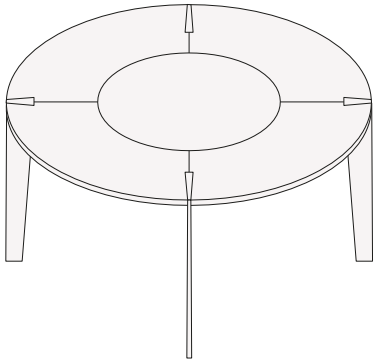
Structure item

WALL PANNELLING



SNACK TOP





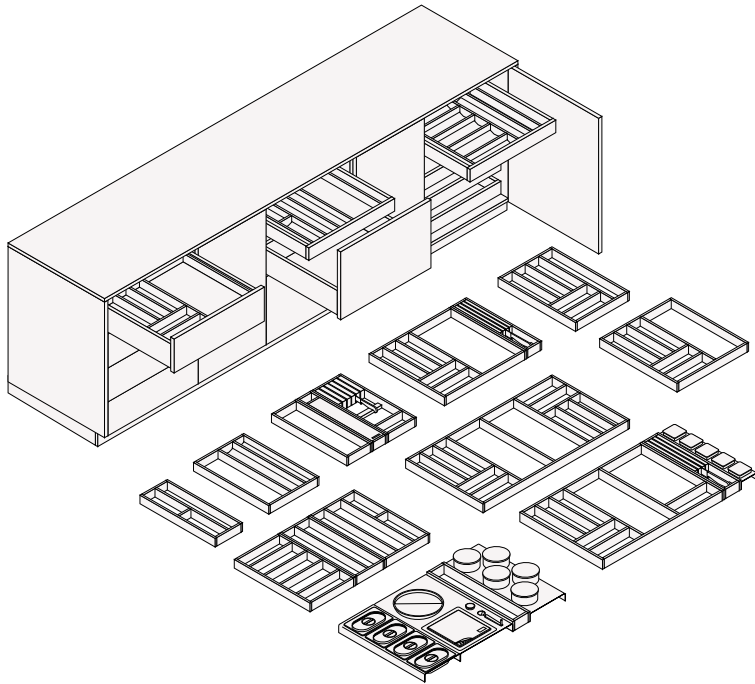
Structure item

Structure item

Structure item

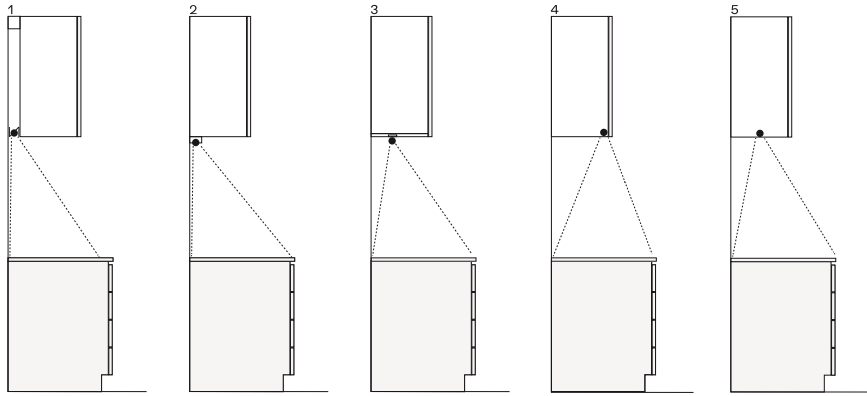
EQUIPMENT

Drawers equipments

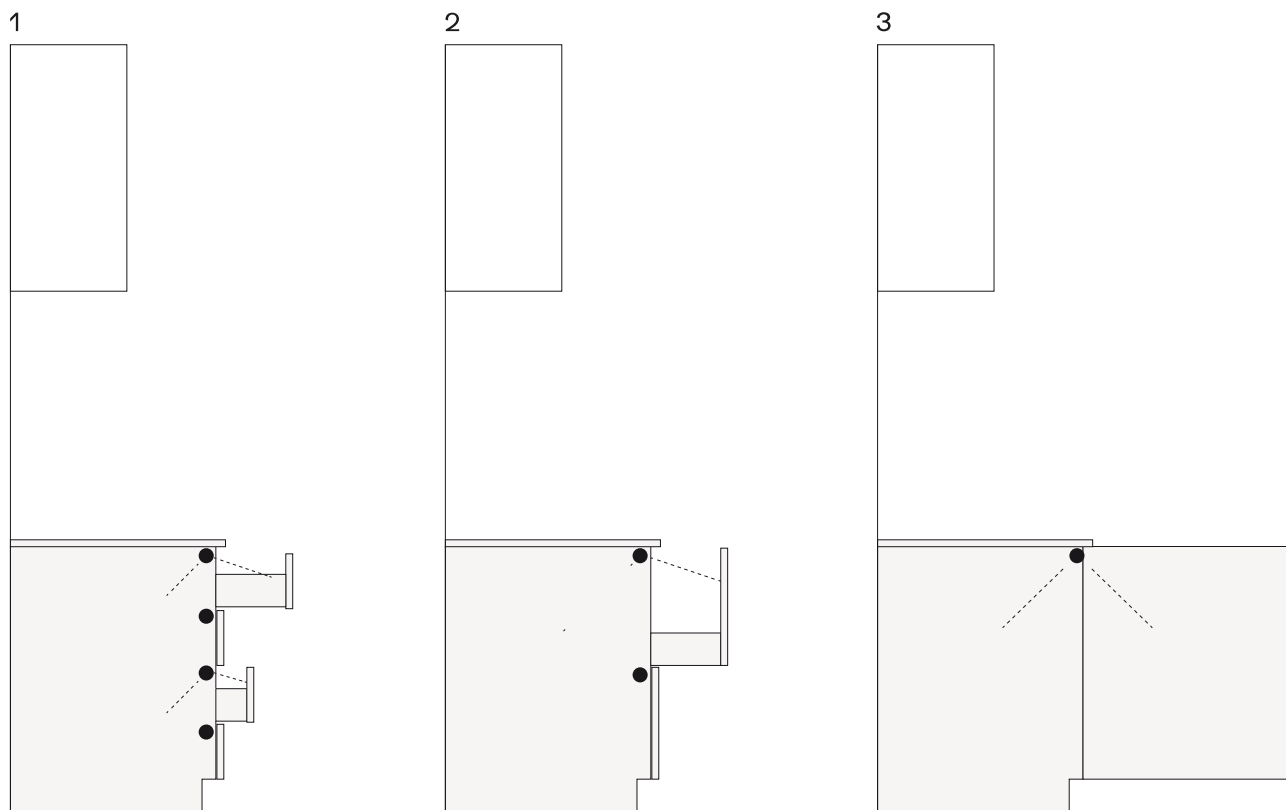


LIGHTING SOLUTIONS

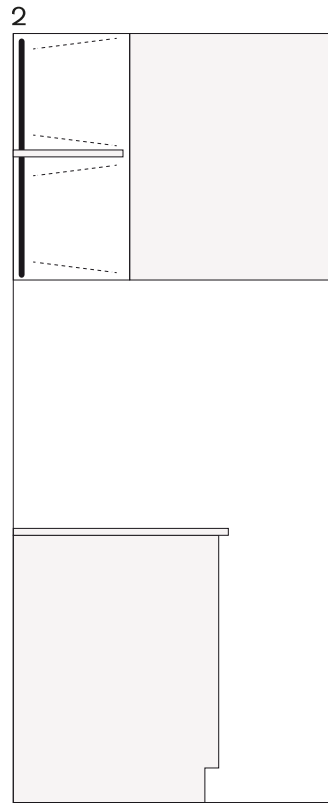
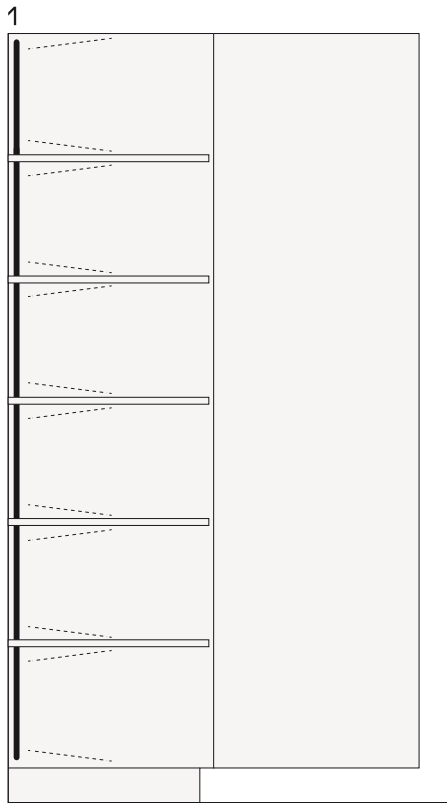
Worktops



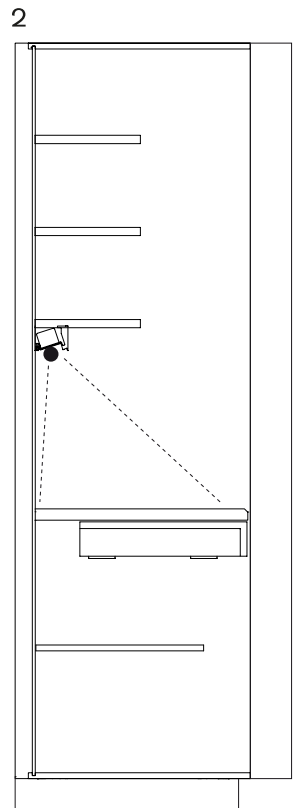
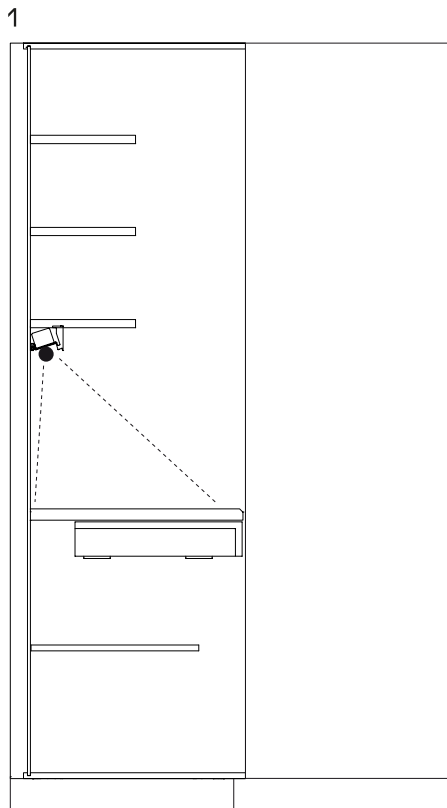
Base



Tall and wall units



Equipped tall units



STRUCTURE

Structure item

Structure item

STRUCTURE

Structure item

Structure item

Structure item

STRUCTURE

Structure item

STRUCTURE

Structure item

Structure item

STRUCTURE

Structure item