

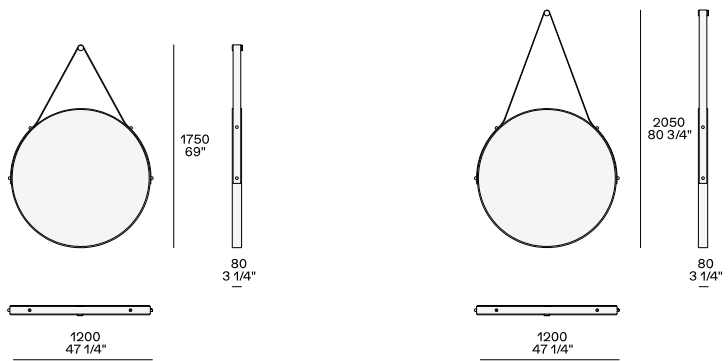


DESCRIPTION

Typology	Mirror
Structure	Metal covered in hide with back in wooden particles faced with melamine
Thickness	80 mm
Features	Hook and glossy brass details

DIMENSIONS

Diameter 1200mm



Diameter 1500mm

