



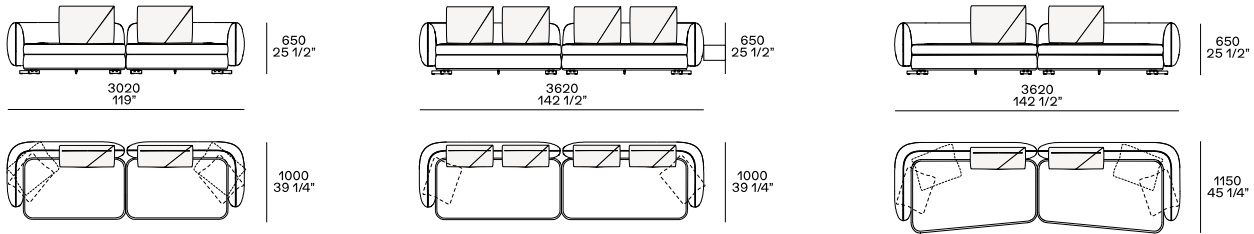
---

## DESCRIPTION

<b>Typology</b>	Modular sofa
<b>Structure</b>	Wood and by-products
<b>Backrest</b>	Moulded flexible polyurethane
<b>Seat cushion</b>	Multi-density polyurethane
<b>Pre-cover</b>	White cotton and feather
<b>Final cover</b>	Removable cover in fabric or leather
<b>Feet</b>	Adjustable in painted metal
<b>Backrest cushions</b>	Expanded polyurethane and feather
<b>Headrest cushions</b>	Textured and feather
<b>Optional cushions</b>	Textured and feather

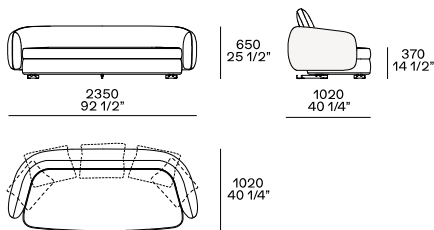
## DIMENSIONS

### Modular components

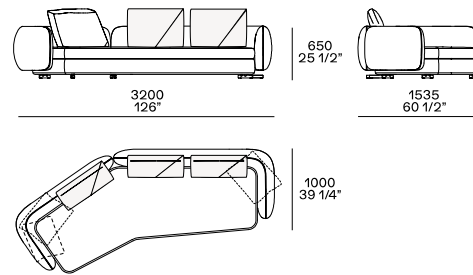


### Sofas

#### Sofa

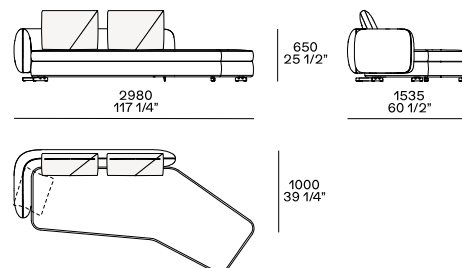
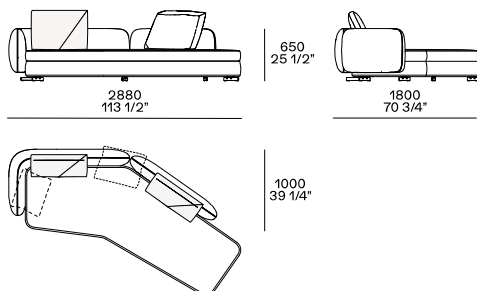
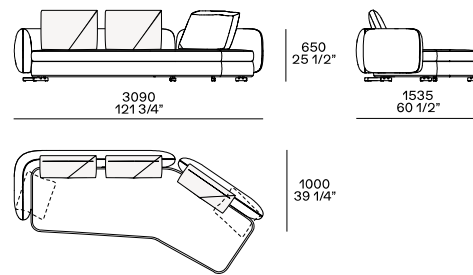
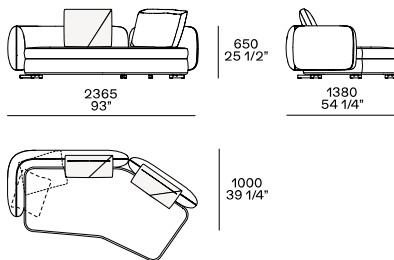


#### Boomerang sofa lh-rh

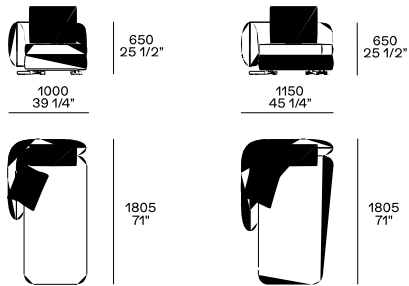


### Freestanding elements

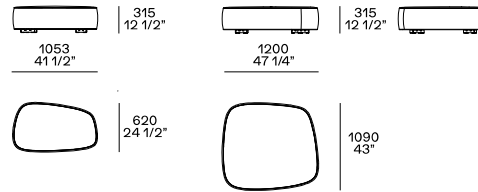
#### Lt-rt freestanding elements



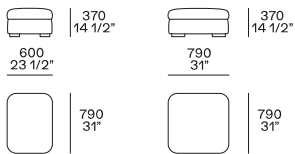
## Lt-rt chaise longue



## Freestanding pouf



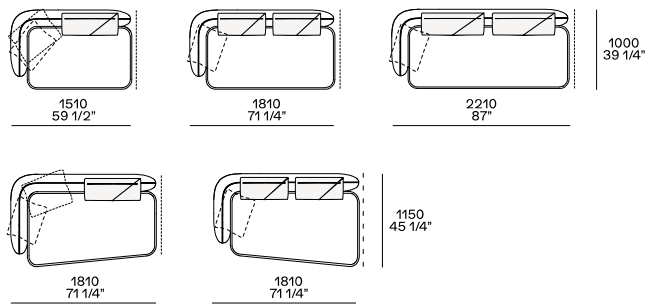
## Pouf



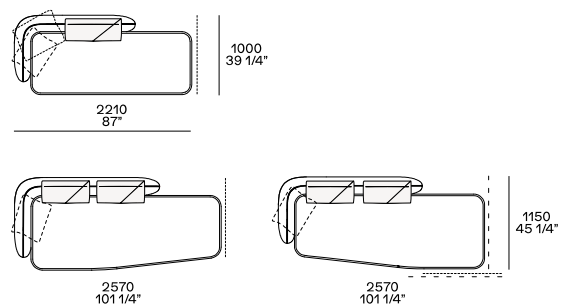
They can also be inserted  
between two elements only  
with seat depth 31"

## Components

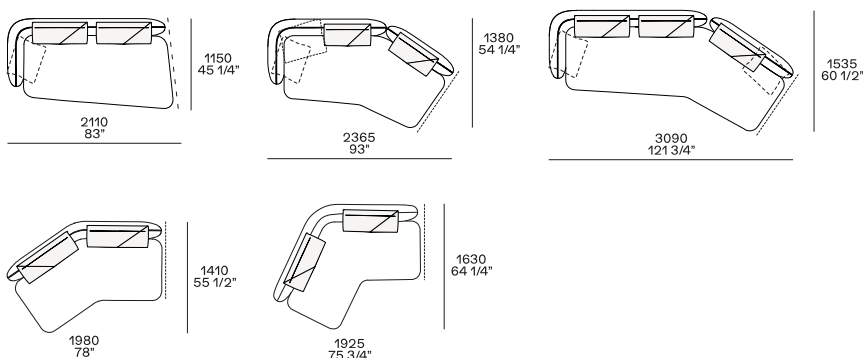
### Lh-rh end unit



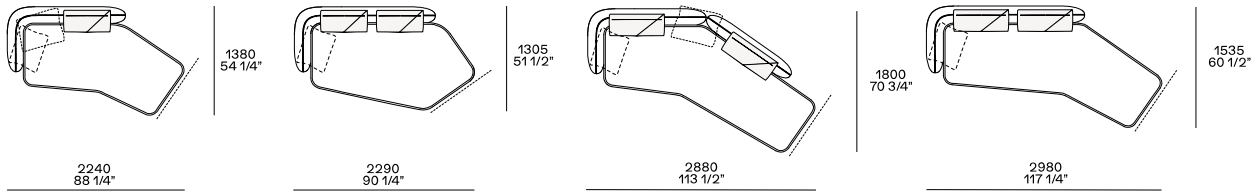
### Peninsula end unit lh-rh



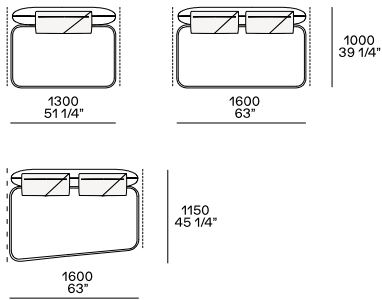
### Lt-rt angled end unit



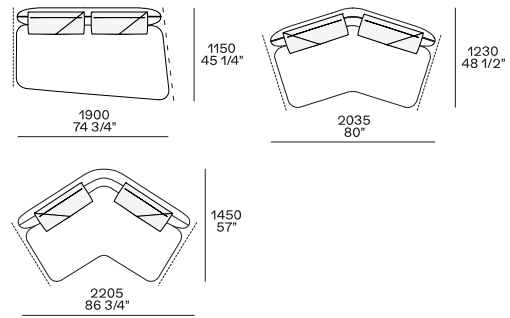
## Lt-rt peninsula end unit



## Central unit

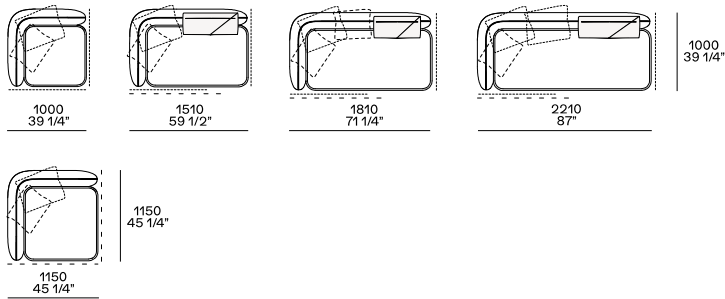


## Lt-rt angled central unit

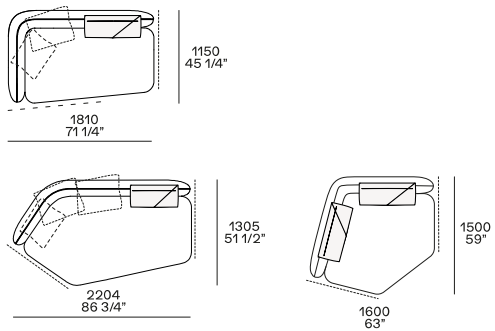


Also used as end unit

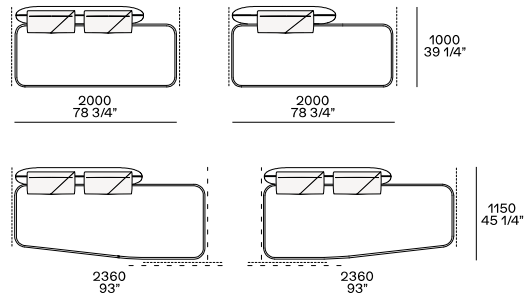
## Lt-rt corner unit



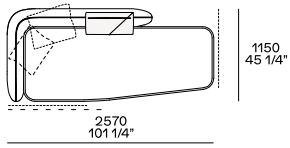
## Lt-rt angled corner unit



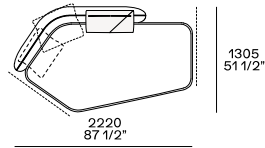
## Lt-rt peninsula



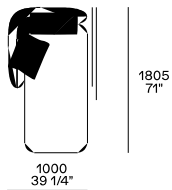
Lt-rt peninsula corner unit



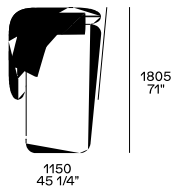
Lt-rt angled peninsula corner unit



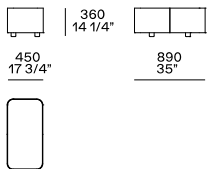
Lt-rt chaise longue



Lt-rt angled chaise longue



Coffee table



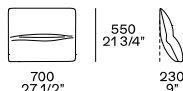
To be inserted between two units

## Cushions

Optional cushions



Optional headrest cushions



End or central coffee table inserted between two elements only with seat depth 31" and sofa depth 39 1/4".