



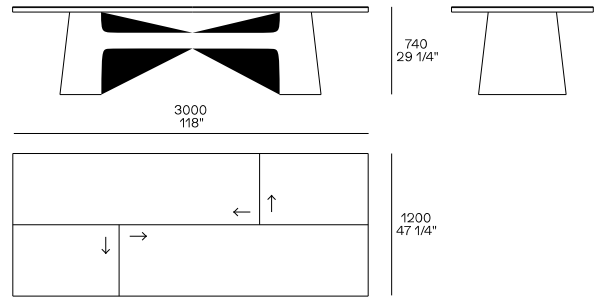
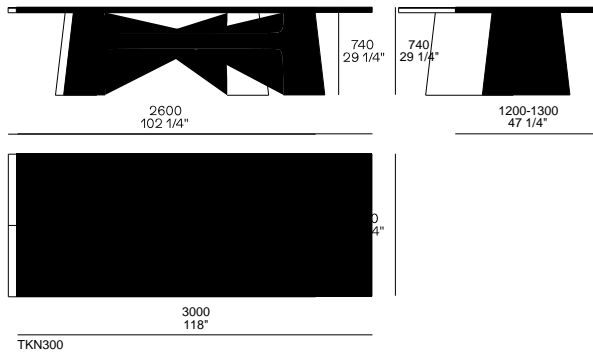
DESCRIPTION

Typology	Table
Legs	Aluminium lacquer - painted brushed casting
Top	Honeycomb panel with frame in solid wood lacquered - painted brushed
Insert	Medium-density fibre panel in veneer - marble

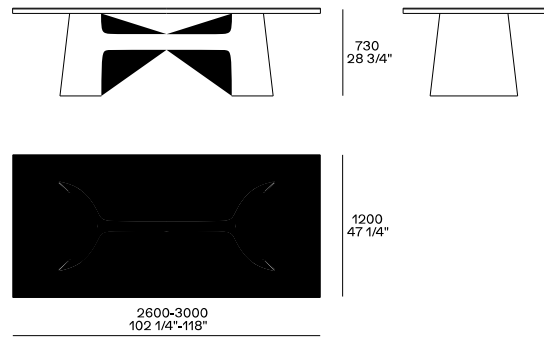
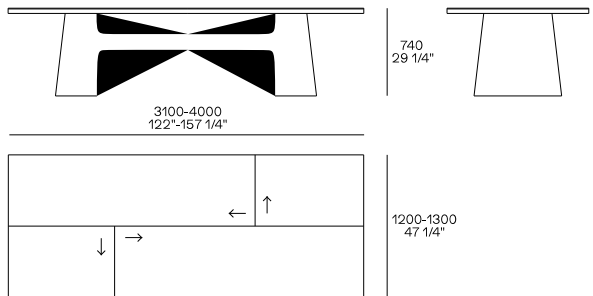
DIMENSIONS

Structure item

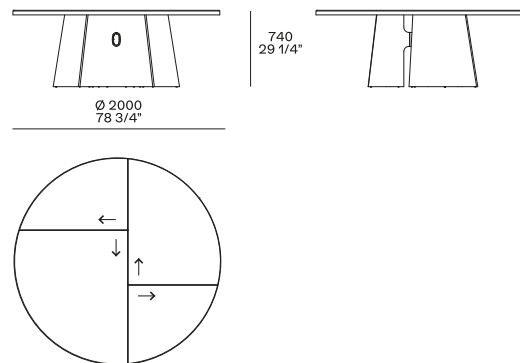
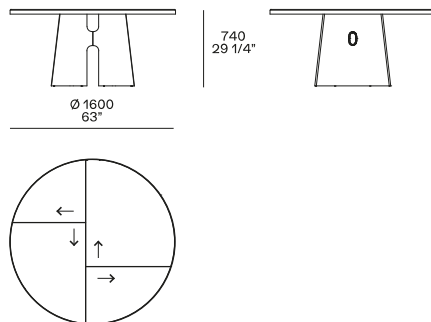
Rectangular



The arrows indicate the orientation of the wood and marble grain.



Round



The arrows indicate the orientation of the wood and marble grain.

