

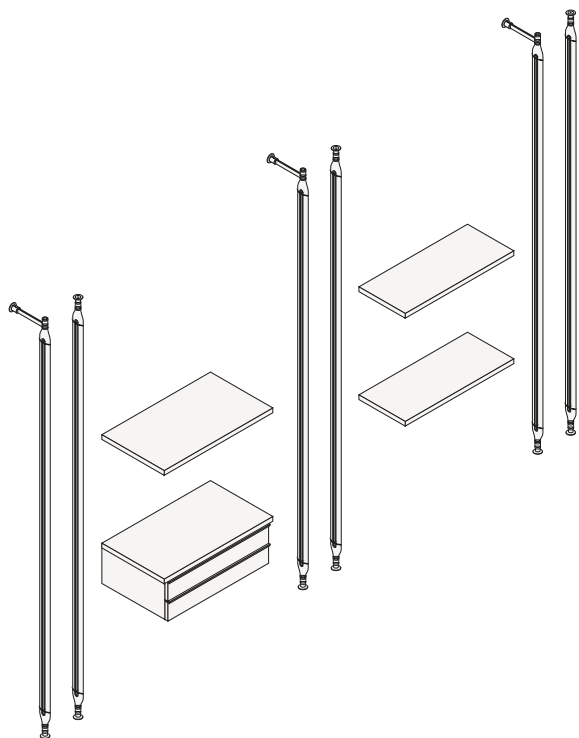


DESCRIPTION

Typology	System of structural uprights
Structure	Aluminium painted
Shelf	Panel of wooden particles faced with melamine or glass fumé
Chest of drawer	Panel of wooden particles faced with melamine
Accessories	Tray, trousers hanger, shirt holder, bags holder, shoes holder

STRUCTURE

Components



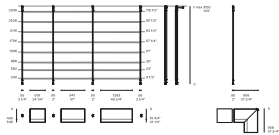
Lexington is a system of structural uprights in aluminium for hooking up shelves, drawers and a wide variety of equipment without limitation in height. The uprights with adjustable feet can be fixed to the ceiling or to the wall.

Uprights finishes

Shelves finishes

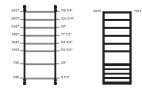
MODULARITY

Dimensions



To obtain the total width, sum up the widths of the shelves with 2 1/4" of the starting upright, 2" for each central upright and 2 1/4" of the terminal upright. The height of the lower shelf cannot be lower than 9 1/2" from the floor, the upper shelf cannot be lower than 7 3/4" from the ceiling/end of the upright.

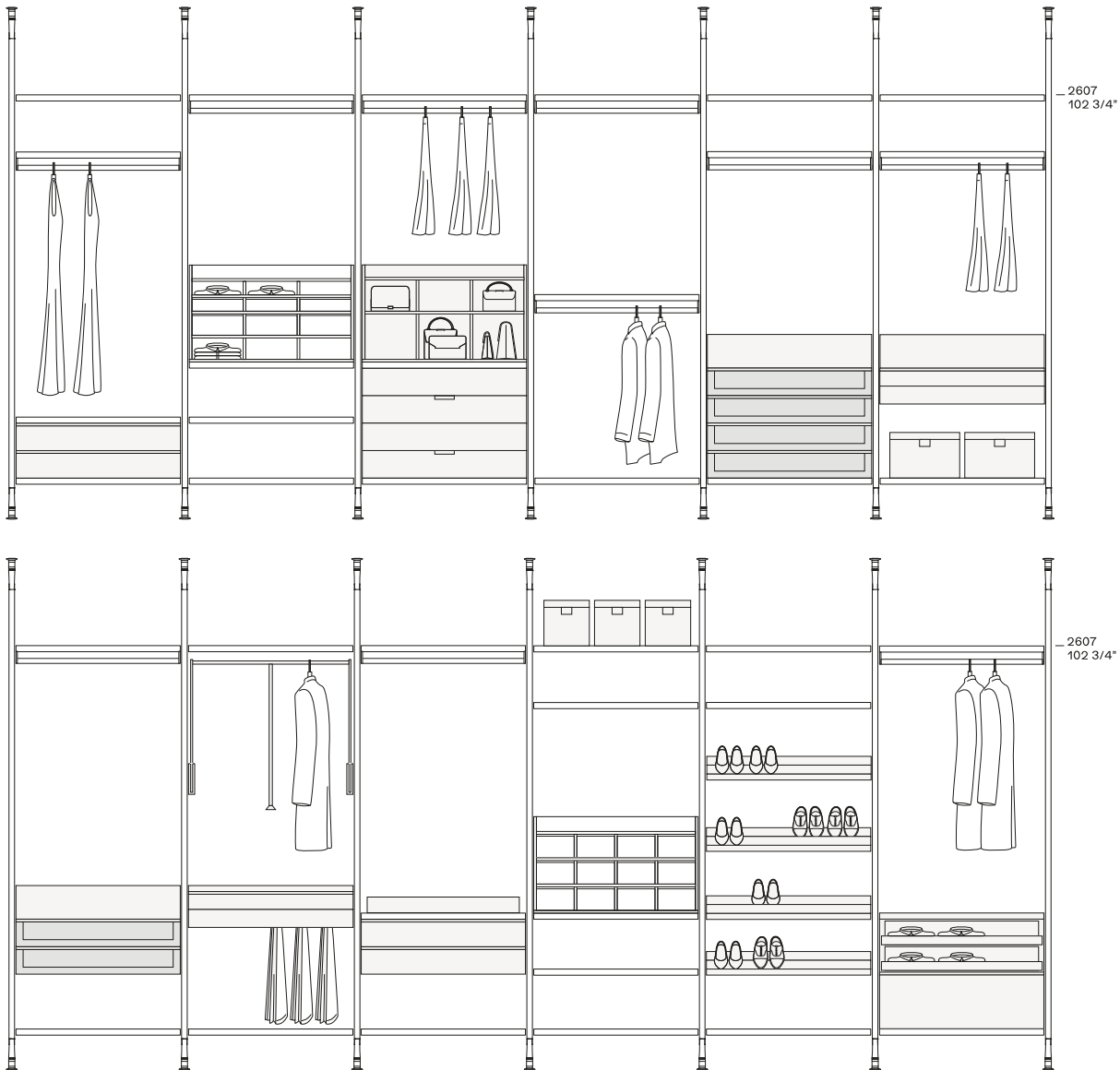
In combination with Senzafine



The diagram shows the heights of the shelves in alignment with a Senzafine wardrobe.

EQUIPMENT

Walk-in closet equipment



Equipment finishes

Hanging rails

Drawers front finishes

Optional drawers bottom finishes

Drawers interior finishes