

Poliform

Sofas and armchairs collection

The sofas and armchairs collection: in the living area there is a full coherence between modular systems, complements and the elements dedicated to comfort. Collaborating with prestigious international designers, Poliform completes its offer with a variety of proposals that underline versatility. A series of different armchairs and sofas, able to explore a wide range of aesthetical approaches and to become part of a full "Home project", where every piece of furniture matches with the other, in a highly harmonious interior design project.

Canyon

Canyon design Paola Navone, 2006

Canyon sofa : wrapping, versatile, open to many interpretations: the freedom of modular sofa seen by Paola Navone. Solutions for every kind of living room thanks to the possibilities of composition of this system.



Technical characteristic and finishing:

System of fixed and modular sofas. Structure: wood and wood by-products.

Structure, seat and back padding: multi-density polyurethane foam.

Pre-covering: polyester padding. Feet: chutes in plastic material.

Final covering: removable in fabric and not removable in leather.

Cushions: in feather, removable in fabric and leather, with cotton pre-covering.

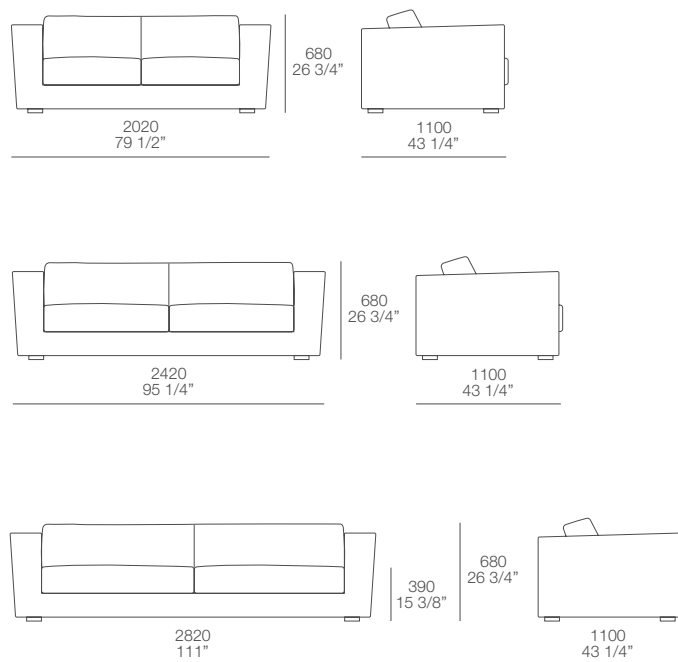
Poliform

Canyon

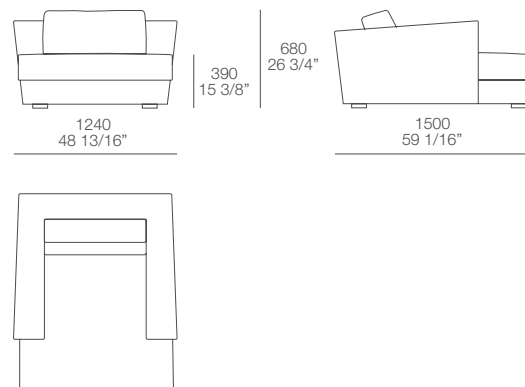
design Paola Navone, 2006

Dimensions:

Fixed sofa



Armchair



Poliform

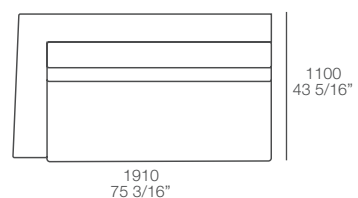
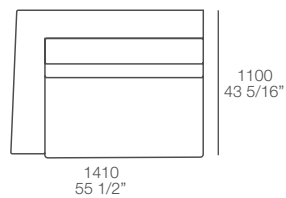
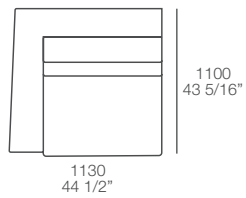
Canyon

design Paola Navone, 2006

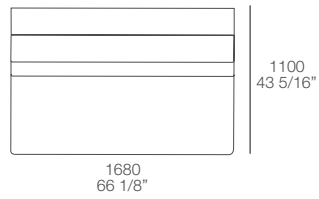
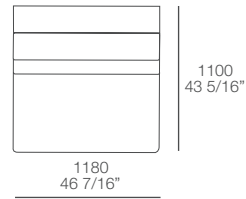
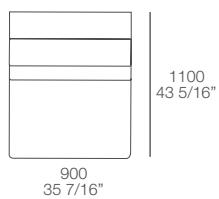
Dimensions:

Sofas system

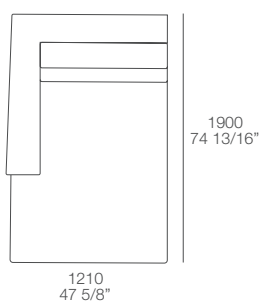
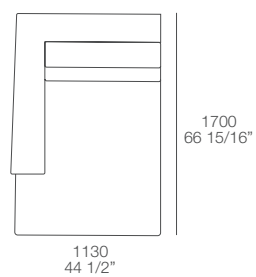
Left-right end units



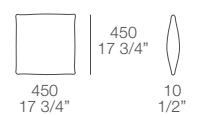
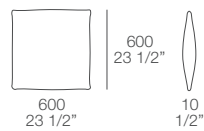
Units



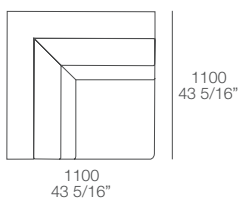
Chaise longue left-right



Cushions



Corner



Pouf

