

Poliform

Sofas and armchairs collection

The sofas and armchairs collection: in the living area there is a full coherence between modular systems, complements and the elements dedicated to comfort. Collaborating with prestigious international designers, Poliform completes its offer with a variety of proposals that underline versatility. A series of different armchairs and sofas, able to explore a wide range of aesthetical approaches and to become part of a full "Home project", where every piece of furniture matches with the other, in a highly harmonious interior design project.

Airport

design Paola Navone, 2006

Soft look and extraordinary wideness: a proposal by Paola Navone, with two different versions for the back. An informal way to interpret geometric lines, an overlock sewing characterizes the cover.



Technical characteristic and finishing:

Sofas available with or without back cushion in three dimensions.

Structure: wood and wood by-products. Structure, seat and back padding: multi-density polyurethane foam.

Pre-covering: polyester padding. Feet: chutes in plastic material.

Final not outstretched covering: removable in fabric. Sewing: double overlock.

Final outstretched covering: not removable in leather.

Cushions: in feather, removable in fabric, with cotton pre-covering.

Poliform spa

via Montesanto 28 casella postale n. 1 22044 Inverigo (co) Italy tel +39/0316951 fax +39/031699444

www.poliform.it info.poliform@poliform.it

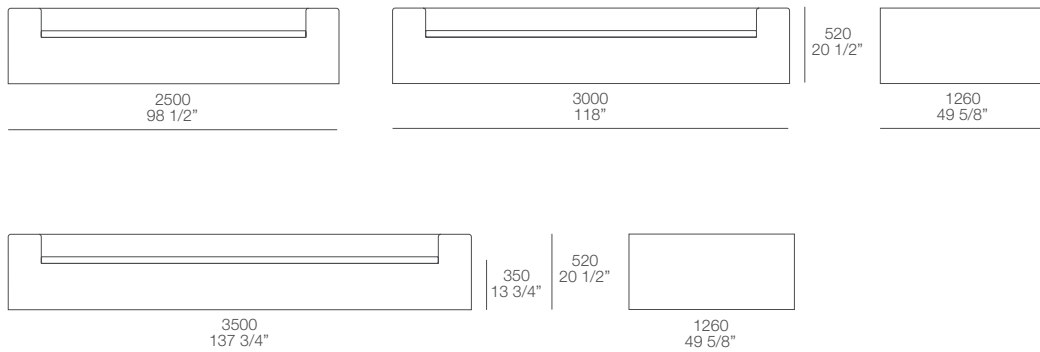
Poliform

Airport

design Paola Navone, 2006

Dimensions:

without back cushion



with back cushion

